

ARW-9894

1/2" IMPACT WRENCH-7,500RPM

- Blade with spring mounted to prevent dead-lock or power-less problem.
- 6 position power regulator: 3 settings in forward.
- 3 in reverse
- Handle exhaust.



Std.Bolt Cap.	Square Drive	Working Torque Range @2sec.	Max Torque @5sec.	Free Speed	Length	Weight	Noise
inch (mm)	inch	ft-lb(Nm)	ft-lb(Nm)	RPM	mm	kg	dB(A)
5/8"(16)	1/2"	50~550(68~745)	800(1085)	7500	178	2.62	101.8

ARW-9895 / 9896 / 9897

9895 1/2" REVERSIBLE AIR DRILL-500RPM

9896 1/2" REVERSIBLE AIR DRILL-800RPM

9897 1/2" REVERSIBLE AIR DRILL-600RPM



ARW-9895



ARW-9896



ARW-9897

Model	Reversible	Chuck Size	Free Speed	Air Cons	Length	Weight	Noise
		inch(mm)	RPM	cfm(1/min)	mm	kg	dB(A)
ARW-9895	YES	1/2"(12.7)	500	10(285)	220	1.76	94
ARW-9896	YES	1/2"(12.7)	800	10(285)	220	1.76	94
ARW-9897	YES	1/2"(12.7)	600	10.68(300)	240	1.75	96.3
Air Inlet: 1/4"PT or NPT		Min.Hose Size: 3/8"(9.5mm)		Air Pressure: 90psi (6.2bar)			

BE-9077

RELAY TESTER



- Figure out the condition of the relay.
- Speculating the problem in the vehicle.

SPECIFICATION:

- Power supplied: 12V/24V vehicle battery.
- Vehicle relay testing for 3 most popular kind of relays.
- Suitable for 12V/24V vehicle relay.
- Support both 4 pin / 5 pin relay.
- Problem pin indication.



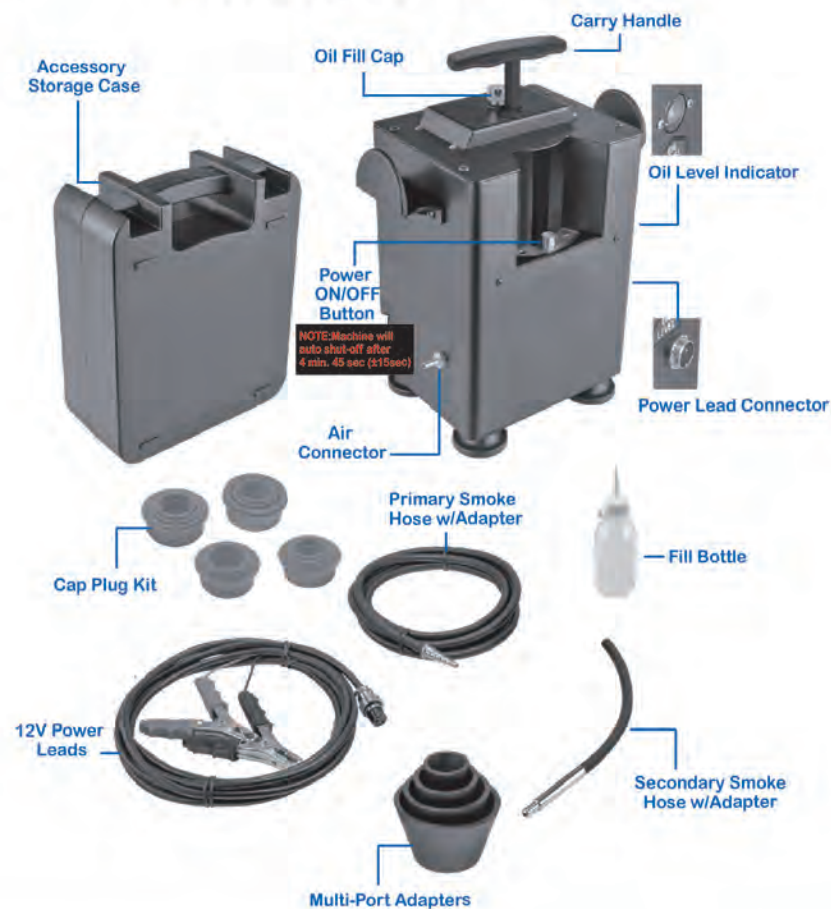
Testing...



Testing OK

TS-9153

12V SMOKE LEAKAGE TESTER



E-mail: service@kaupa.com.tw

PC-9346

AXLE POPPER KIT

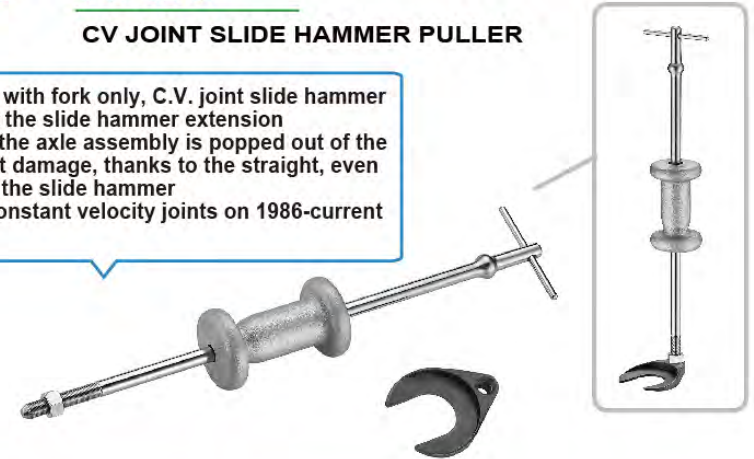


- Safer than a pry bar - forked end applies even pressure to both sides of the shaft for release of the shaft
- Strike the wedge or use it as a pry bar to release the half shaft with tapered ends
- Shim included to fill the gap between the half shaft and transaxle

PC-9347

CV JOINT SLIDE HAMMER PULLER

- Tool is available with fork only, C.V. joint slide hammer assembly or just the slide hammer extension
- With this puller, the axle assembly is popped out of the transaxle without damage, thanks to the straight, even pull provided by the slide hammer
- This tool pulls constant velocity joints on 1986-current Taurus/Sable



GT-9516-1

TIRE REPAIR TOOLS SET



- 2PCS-T-handle
- 2PCS-90mmL Broken needle
- 2PCS-90mmL spiral needle
- 5PCS-6*100mm Black seal string
- 2PCS-Hex Wrench
- 1PC-7 c.c. Rubber Cement
- 1PC-Small Knife

GT-9516-2

TIRE REPAIR TOOLS SET



- 1PCS-T-Handle split eye tools
- 1PCS-T-Handle rasp tool
- 5PCS-6*100mm Black seal string
- 1PCS-Connecting pipe
- 3PCS-16G CO2 Cylinder
- 1PC-Antifreeze sleeve
- 1PC-7CC Rubber Cement
- 1PC- Small Knife





www.kaupa.com.tw

TT-9278

ENGINE TIMING KIT & FUEL PUMP LOCKING/REMOVAL TOOL JLR 2.0 INGENIUM DIESEL ENGINES



- Vehicle applications include: Jaguar F pace, XE, XF (2015 onwards). Land Rover Discovery Sport, Range Rover Evoque (2015 onwards)
- For locking the engine into the timed position so the engine timing chain can be removed/replaced and the engine timing checked
- Locks the fuel pump sprocket and chain in a fixed position while the pump is removed and replaced.
- Engine codes:
AJ-200D, 204DT, AJ200D, AJ200, 204DTD
OEM NO.: JLR-303-1625, JLR-303-1631, JLR-303-1630, JLR-303-1627

TT-9280

NEW PSA TIMING TOOL SET



- It contains the setting / locking tools required for engine valve timing applications on all 1.0 & 1.2 'EB' series petrol engines fitted in models across the Citroën-Peugeot range as well as shared platform models in the Opel/Vauxhall and Toyota ranges. Includes Belt Test Gauge, which provides a simple method of checking the condition of the toothed belt.
- The kit covers application in Citroën, Peugeot, Opel / Vauxhall and Toyota models.

OEM tool codes included in this kit:
*0109-2A, *0109-2B, *0109-6, *16 431 900 80
*EN-52127-1, *EN-52127-2, *G-0109-6

TT-9279

INSTALL/REMOVE GEAR BELT TOOL FORD



- The special tool 303-1611-02 is used in combination with special tool 303-1611-01 as a counter holder for special tool 303-1611.
- Special tool 303-1611-02 is fitted at the position of the bracket for the left driveshaft. Then special tool 303-1611-01 is fitted onto special tool 303-1611-02.
- Special tools 303-1611-01 and 303-1611-02 are then screwed onto the spindle along with special tool 303-1611.
- OEM No.:
303-1611, 303-1611-02, 303-1611-01

TT-9281

TIMING TOOLS FOR FORD



- For holding the camshaft while setting the tappet and for installing the front crankshaft oil sealing
- Suitable for: Ford & Volvo 2.5L Duratec-VE (VI5) Turbo petrol engines
- For following models:
*Ford Focus (2005-2011), *Galaxy (2006-2010)
*Ford Kuga (2009-2013), *Mondeo (2007-2010)
*S-Max (2006-2010), *Volvo C30 (2006-2013)
*C70 (2006-2013), *S40 (2003-2012)
*S60 (2003-2016), *S80 (2003-2012)
*Volvo V40 (2012-2015), *V50 (2004-2012)
*V70 (2002-2012), *XC60 (2014-2016)
*XC70 (2002-2007), *XC90 (2002-2014)
- Engine codes: HYDA, HYDB, HUBA, B5254T10, B5254T11, B5254T12, B5254T14, B5254T2, B5254T3, B5254T4, B5254T5, B5254T6, B5254T7, B5254T8, B5254T9
- Camshaft holder, to be used as OEM 303-1183, 9995765
- Crankshaft seal driver, to be used as OEM 303-1180
- Crankshaft seal guide, to be used as OEM 303-1180

KAUPA APP



Android



IOS



E-mail: service@kaupa.com.tw

KAUPA INTERNATIONAL CO.,LTD

TT-9282

TIMING TOOLS FOR OPEL



- For removing / replacing the timing chain in the cylinder head.
- Suitable for 2.0 CDTi / EcoFLEX engines (from 2014).
- Engine code: LFS/B20DTH

Suitable for the following Vauxhall models:

- Cascada 2.0 CDTi (2015-2017).
- Insignia 2.0 CDTi (2014-2017).
- Insignia Country Tourer 2.0 CDTi (2014-2017)
- Zafira-C Tourer 2.0 CDTi (2014-2017)

Box contents:

- Camshaft adjustment tool, can be used as OEM EN-51415.
- Chain tensioner locking pin, can be used as OEM EN-51418.
- Can be used as OEM 1: EN-51415 / EN-51418 Opel
- To be used as OEM2: EN-51415 / EN-51418 Vauxhall

TT-9283

TIMING TOOLS FOR LAND ROVER



- For adjusting the balance shaft.
- Suitable for the following vehicles:
Land Rover Discovery, Discovery Sport, Freelander 2, eD4, TD4, TD4e (2009-2015) | Engine codes: 224DT, DW12CTED4/224DT, DW12BTED4/224DT.
- Citroën C5, C5 II, C5 III, C6, C8, C-Crosse HDi (200-2015) | Engine Codes: 4HX (DW12CTED4), 4HP (DW12BTED4), 4HX (DW12TED4), 4HW (DW12TED4/L4)
- Mitsubishi Outlander DI-D, DI-DC (2007-2013) | Engine Codes: 4HK, 4HN
- Peugeot 4007, 407, 607, 807, 406, 508, 607, HDi, GT HDi (2000-2015) | Engine Codes: DW12MTED4 (4HK), DW12MTED4 (4HN), DW12BTED4 (4HP), DW12BTED4D4 (4BTED4 (4) (4HR), DW12BTED4 (4HT), DW12TED4/L4 (4HW), DW12BTED4 (4HS), DW12ATED (4HZ), DW12ATED4 (4HX), DW12ATED (4HZ), DW12CTED4 (4HL).
- Ford Galaxy, Mondeo, S-Max, TDCi, TCI (2008-2015) | Engine Codes: KNBB, KNBA, KNWA, Q4BA
- Box contents: balancing shaft fixing tool, can be used in the same way as OEM 303-1329
- Compensation tool, can be used in the same way as OEM 303-1330.
- Balance shaft adjustment tool, can be used in the same way as OEM 303-1328, 0190D.

TT-9284

TIMING TOOLS FOR OPEL



- For checking and setting the engine timing

Suitable for following models:

- Buick Enclave 3.6, engine code: LY7
- Cadillac SRX, STS, CTS 3.6, engine code: LY7, LLT
- Chevrolet Camaro 2.8, engine code: LTT, LFX
- Opel Insignia 2.8 V6 Turbo, engine code: LAU/A28NER
- Opel Antara 3.2 V6 (as of 2007), engine code: Z32SE
- Saab 9-5 2.8 (2009-2013), engine code: LAU/A28NER

Box contents:

- Camshaft alignment tool, to be used as OEM EN-48383-1, EN-48383-2, EN-48383-3
- Flywheel locking tool, to be used as OEM EN-46106
- Crankshaft setting tool, to be used as OEM EN-46111

TT-9285

CHAIN HOUSING COVER ALIGNMENT & PUMP SPROCKET REMOVAL TOOL SET FOR FORD 1.8 TDDI/TDCI



- For alignment of chain housing cover and for removing of high pressure pump sprocket
- During works on high pressure pump chain, for example
- Tools are complementary for engine timing tool set (eg: TT-0007)

Suitable for following models:

- Focus 1.8 TDCi (2004 - 2011) - engine codes: KKDA, KKDB
- C-Max 1.8 TDCi (2003 - 2007) - engine codes: KKDA, BHBA, HCPA
- Tourneo Connect 1.8 TDCi (2002 - 2013) - engine codes: HCPA, HCPB (2002 - 2006), RWPA, R2PA, P7PA, P9PA, R3PA (2006-2013), P9PB, RWPC (2009 - 2013)
- Tourneo Connect 1.8 TDDi (2002 - 2006) - engine code: BHBA
- Mondeo 1.8 TDCi (2007 - 2010) - engine codes: FFBA, QYBA, KHBA
- Mondeo 1.8 TDCi ECONetic (2008 - 2010) - engine code: KHBA
- Transit Connect 1.8 TDCi (2002 - 2013) - engine codes: HCPA, HCPB (2002 - 2006), RWPA, P7PA, R2PA, P9PA, R3PA (2006 - 2013), P9PB, RWPC (2009 - 2013)
- Transit Connect 1.8 TDDi (2002 - 2006) - engine code: BHBA

Box contents:

- Chain housing cover alignment tool, to be used as OEM 303-652 (21-230)
- High pressure pump sprocket disassembly tool, to be used as OEM 303-095 (23-067)

